

# Kugelhähne der Serie 6L, manuell

## Zwei-Wege-Kugelhahn mit Durchgangsbohrung



|           |       |          |   | PP | PP-<br>natur | PVDF | PFA |
|-----------|-------|----------|---|----|--------------|------|-----|
| 6L0701.00 | DN 3  | G 1/8"   | ● | ●  | ●            | ●    |     |
| 6L0701.00 | DN 4  | G 1/4"   | ● | ●  | ●            | ●    |     |
| 6L0701.00 | DN 6  | G 1/4"   | ● | ●  | ●            | ●    |     |
| 6L0701.00 | DN 10 | G 1/2"   | ● | ●  | ●            | ●    |     |
| 6L0801.00 | DN 3  | NPT 1/8" | ● | ●  | ●            | ●    |     |
| 6L0801.00 | DN 4  | NPT 1/4" | ● | ●  | ●            | ●    |     |
| 6L0801.00 | DN 8  | NPT 1/2" | ● | ●  | ●            | ●    |     |

## Drei-Wege-Kugelhahn, vertikal, mit Winkelbohrung



|           |      |          |   | PP | PP-<br>natur | PVDF | PFA |
|-----------|------|----------|---|----|--------------|------|-----|
| 6L0702.00 | DN 3 | G 1/8"   | ● | ●  | ●            | ●    |     |
| 6L0702.00 | DN 4 | G 1/4"   | ● | ●  | ●            | ●    |     |
| 6L0702.00 | DN 6 | G 1/4"   | ● | ●  | ●            | ●    |     |
| 6L0802.00 | DN 3 | NPT 1/8" | ● | ●  | ●            | ●    |     |
| 6L0802.00 | DN 4 | NPT 1/4" | ● | ●  | ●            | ●    |     |

## Drei-Wege-Kugelhahn, horizontal, mit Winkelbohrung



|           |       |          |   | PP | PP-<br>natur | PVDF | PFA |
|-----------|-------|----------|---|----|--------------|------|-----|
| 6L0732.00 | DN 3  | G 1/8"   | ● | ●  | ●            | ●    |     |
| 6L0732.00 | DN 4  | G 1/4"   | ● | ●  | ●            | ●    |     |
| 6L0732.00 | DN 6  | G 1/4"   | ● | ●  | ●            | ●    |     |
| 6L0732.00 | DN 10 | G 1/2"   | ● | ●  | ●            | ●    |     |
| 6L0832.00 | DN 3  | NPT 1/8" | ● | ●  | ●            | ●    |     |
| 6L0832.00 | DN 4  | NPT 1/4" | ● | ●  | ●            | ●    |     |
| 6L0832.00 | DN 8  | NPT 1/2" | ● | ●  | ●            | ●    |     |

# Kugelhähne der Serie 6L, manuell

## Drei-Wege-Kugelhahn, horizontal, mit T-Bohrung



|           |       |          | PP | PP-<br>natur | PVDF | PFA |
|-----------|-------|----------|----|--------------|------|-----|
| 6L0733.00 | DN 3  | G 1/8"   | ●  | ●            | ●    | ●   |
| 6L0733.00 | DN 4  | G 1/4"   | ●  | ●            | ●    | ●   |
| 6L0733.00 | DN 6  | G 1/4"   | ●  | ●            | ●    | ●   |
| 6L0733.00 | DN 10 | G 1/2"   | ●  | ●            | ●    | ●   |
| 6L0833.00 | DN 3  | NPT 1/8" | ●  | ●            | ●    | ●   |
| 6L0833.00 | DN 4  | NPT 1/4" | ●  | ●            | ●    | ●   |
| 6L0833.00 | DN 8  | NPT 1/2" | ●  | ●            | ●    | ●   |

## Vier-Wege-Kugelhahn mit Durchgangsbohrung



|           |       |          | PP | PP-<br>natur | PVDF | PFA |
|-----------|-------|----------|----|--------------|------|-----|
| 6L0741.00 | DN 3  | G 1/8"   | ●  | ●            | ●    | ●   |
| 6L0741.00 | DN 4  | G 1/4"   | ●  | ●            | ●    | ●   |
| 6L0741.00 | DN 6  | G 1/4"   | ●  | ●            | ●    | ●   |
| 6L0741.00 | DN 10 | G 1/2"   | ●  | ●            | ●    | ●   |
| 6L0841.00 | DN 3  | NPT 1/8" | ●  | ●            | ●    | ●   |
| 6L0841.00 | DN 4  | NPT 1/4" | ●  | ●            | ●    | ●   |
| 6L0841.00 | DN 8  | NPT 1/2" | ●  | ●            | ●    | ●   |

## Vier-Wege-Kugelhahn mit Doppel-L-Bohrung



|           |      |          | PP | PP-<br>natur | PVDF | PFA |
|-----------|------|----------|----|--------------|------|-----|
| 6L0744.00 | DN 3 | G 1/8"   | ●  | ●            | ●    | ●   |
| 6L0744.00 | DN 3 | G 1/4"   | ●  | ●            | ●    | ●   |
| 6L0744.00 | DN 6 | G 1/2"   | ●  | ●            | ●    | ●   |
| 6L0844.00 | DN 3 | NPT 1/8" | ●  | ●            | ●    | ●   |
| 6L0844.00 | DN 3 | NPT 1/4" | ●  | ●            | ●    | ●   |
| 6L0844.00 | DN 6 | NPT 1/2" | ●  | ●            | ●    | ●   |

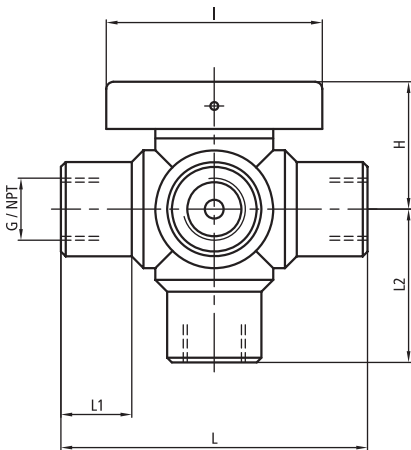
# Kugelhähne der Serie 6L, manuell

## Fünf-Wege-Kugelhahn mit Winkelbohrung



|           |      |          | PP | PP-<br>natur | PVDF | PFA |
|-----------|------|----------|----|--------------|------|-----|
| 6L0750.00 | DN 3 | G 1/8"   | ●  | ●            | ●    | ●   |
| 6L0750.00 | DN 4 | G 1/4"   | ●  | ●            | ●    | ●   |
| 6L0850.00 | DN 3 | NPT 1/8" | ●  | ●            | ●    | ●   |
| 6L0850.00 | DN 4 | NPT 1/4" | ●  | ●            | ●    | ●   |

## Technische Daten



### Maße

| G/NPT | D  | L   | L1 | L2   | I  | H   |
|-------|----|-----|----|------|----|-----|
| 1/8"  | 16 | 52  | 13 | 26   | 39 | ~26 |
| 1/4"  | 20 | 65  | 15 | 32,5 | 40 | ~27 |
| 1/2"  | 30 | 100 | 22 | -    | 58 | ~47 |

alle Angaben in mm

### Materialien

### Alle Typen der Serie 6L

|   | PP   | PVDF | PFA  |
|---|------|------|------|
| 1. Gehäuse                              | PP   | PVDF | PFA  |
| 2. Kugel                                | PP   | PVDF | PTFE |
| 3. Dichtbuchse                          | PTFE | PTFE | PTFE |
| 4. Druckschraube nur bei G1/2" oder NPT | PP   | PVDF | PTFE |
| 5. O-Ring*                              | FPM  | FPM  | FPM  |

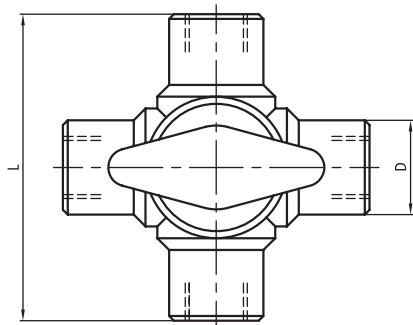
\*EPDM, FFKM auf Anfrage

### Technische Daten

### 6L0701.00 - 6L0850.00

|                          |           |             |            |          |          |
|--------------------------|-----------|-------------|------------|----------|----------|
| max. Medientemperatur**: | PP: 90°C  | PVDF: 120°C | PFA: 180°C |          |          |
| Druckstufe:              | PN 10     |             |            |          |          |
| K <sub>vs</sub> -Wert:   | DN 03     | DN 04       | DN 06      | DN 08    | DN 10    |
| 6L0701.00                | 0,5 m³/h  | 0,61 m³/h   | 0,9 m³/h   | ./.      | 3,9 m³/h |
| 6L0702.00                | 0,4 m³/h  | 0,58 m³/h   | 0,85 m³/h  | ./.      | ./.      |
| 6L0732.00                | 0,4 m³/h  | 0,58 m³/h   | 0,85 m³/h  | ./.      | 3,7 m³/h |
| 6L0733.00                | 0,4 m³/h  | 0,58 m³/h   | 0,85 m³/h  | ./.      | 3,7 m³/h |
| 6L0741.00                | 0,5 m³/h  | 0,61 m³/h   | 0,9 m³/h   | ./.      | 3,9 m³/h |
| 6L0744.00                | 0,25 m³/h | 0,45 m³/h   | 0,65 m³/h  | ./.      | ./.      |
| 6L0750.00                | 0,4 m³/h  | 0,58 m³/h   | 0,85 m³/h  | ./.      | ./.      |
| 6L0801.00                | 0,5 m³/h  | 0,61 m³/h   | ./.        | 1,9 m³/h | ./.      |
| 6L0802.00                | 0,4 m³/h  | 0,58 m³/h   | ./.        | ./.      | ./.      |
| 6L0832.00                | 0,4 m³/h  | 0,58 m³/h   | ./.        | 1,6 m³/h | ./.      |
| 6L0833.00                | 0,4 m³/h  | 0,58 m³/h   | ./.        | 1,6 m³/h | ./.      |
| 6L0841.00                | 0,5 m³/h  | 0,61 m³/h   | ./.        | 1,6 m³/h | ./.      |
| 6L0844.00                | 0,25 m³/h | 0,45 m³/h   | ./.        | ./.      | ./.      |
| 6L0850.00                | 0,4 m³/h  | 0,58 m³/h   | ./.        | ./.      | ./.      |

\*\*Ausgehend von der Druckstufe (bei 20°C) sinkt die Druckzulässigkeit mit zunehmender Temperatur!



### Bestell-Information

Bitte geben Sie zur Artikel-Nr. folgende Informationen an: Nennweite, Gewinde und Material.

Beispiel: 6L0750.00, DN 4 - G 1/4", PVDF